



## Timer RCN-4(8)

[Description](#) [Features](#) [Operation](#) [Specification](#) [Timing Diagrams](#)

### Description



RCN-4 operates 2 to 4 loads (RCN-8: 2 to 8 loads) at a recycling mode.  
Puls wide and time duration are adjusted by an internal potentiometers.  
Outputs are galvanic isolated from the Electronic Circuit.

### Features

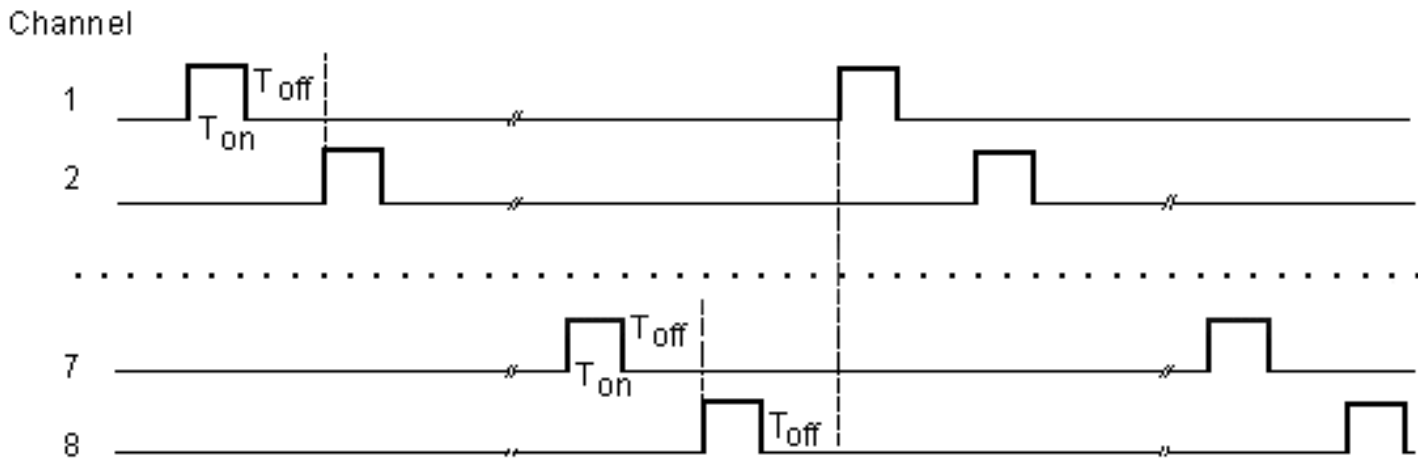
- Repeatability +/-1%
- Time delay from sec. to hours (upon request)
- Up to 8 outputs. Number of active outputs can be set by jumpers
- Outputs are "Electronical contacts", 1A
- LED indicate the active output
- AC or DC supply voltage
- 3 years warranty
- Competitive price

### Operation

(Timing diagrams see below)

- The **first** load is activated on connecting power for  $T_{on}$  sec.
  - After delay  $T_{off}$ , the **second** load is activated for  $T_{on}$  sec.
  - After activation of the **last** load for  $T_{on}$  sec. and pause  $T_{off}$ , the first load will start again.
- \* Periods  $T_{on}$  and  $T_{off}$  are upon customer request.  
\* Number of active outputs (return to the first load) can be set by jumpers on the circuit board of RCN.

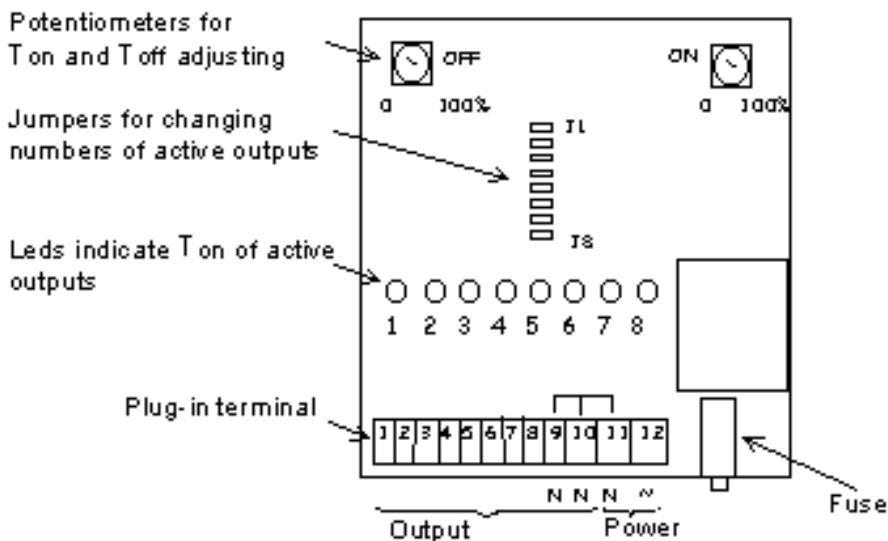
## Timing Diagrams for RCN



## Specification

PARAMETER	RCN
Display	8 green LED-s indicate active output
Output	* up to 8 "electronical contacts", 1 A. * Number of active output is selected by internal jumpers .
Power supply	24 VDC or 110 /220 VAC
Repeatability	+/- 1% under fixed condition
Ambient Temp.	-10oC ... +50oC.
Connection	Plug-in terminals on the circuit board. Cable connection to terminals are made via glands which can be mounted on a side of a case.
Size	W 132 x H 78 x L 212
Enclosure	Plastic case with transparent cover
Protection	IP-52

### Panel description



### Connection

