

Recyclic Timer RCD-4(8)

◆ Description ◆

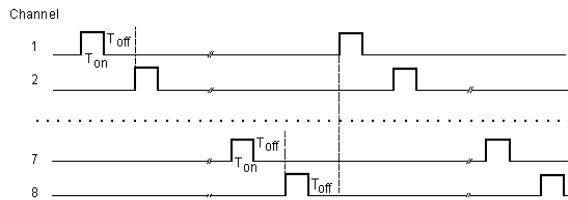
RCD-4 operates 2 to 4 loads (**RCD-8**: 2 to 8 loads) at a recycling mode. Puls wide and time duration are adjusted by an internal potentiometers. Outputs are galvanic isolated from the Electronic Circuit.

◆ Operation ◆

The **first** load is activated on connecting power for T_{on} sec. After delay T_{off} , the **second** load is activated for T_{on} sec.

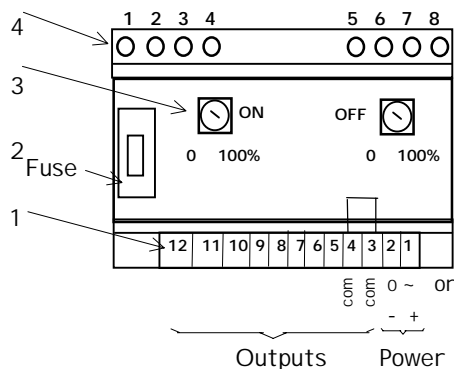
After activation of the **last** load for T_{on} sec. and pause T_{off} , the first load will start again.

- Periods T_{on} and T_{off} are upon customer request.



- Periods T_{on} and T_{off} possibly adjust (in range 2%-10% of max value) by potentiometers ON / OFF located on the front panel (open the plastic cover).

◆ The front panel description ◆



- [1] 12 pins terminal
(Pins 3 and 4 are connected - Outputs Common).
- [2] Fuse: 1A (220 Vac), 2A (24 Vdc).
- [3] Pot. ON / OFF for T_{on} / T_{off} settings.
- [4] LED-s indicate (T_{on}) active output.



◆ Specification ◆

Repeatability: $\pm 1\%$ under fixed condition

Power supply: 110 / 220Vac, 24 Vdc

Outputs: Up to 8 "Electronical contacts" / 1A. Time delay from sec. to hours (upon request).

Display : Red LED indicates active output

Ambient Temp.: $-10 + +50$ °C.

Enclosure: Plastic case NORYL

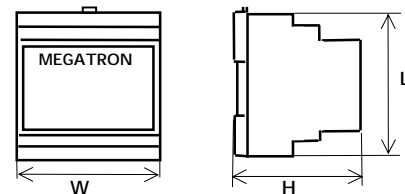
Size: L90 mm x W70 x H 73 mm

Connection: Plug-in terminal (12 pins)

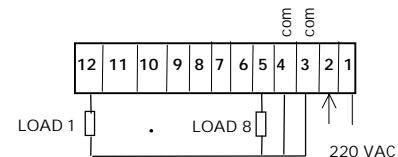
Mounting: 35 mm DIN-rail

Protection: IP-40

◆ Dimension ◆



◆ Connection ◆



RCD_E-S-1-05

megatron electronics & controls ltd

Manufactures & Representatives for Control Equipment



מגטרון אלקטרוניקה ובקרה בע"מ

יצרנים ומפיצים של ציוד מכשור בקרה והתרה

Web site : <http://www.megatron.co.il>

טל. 04-8410704, פקס. 04-8410705, רח"ו מרקוני 12 ת.ד. 25205 חיפה 31251