

Simulator MCVS



Introduction

Simulator MCVS are used in process control systems for simulating 0-20mA / 0-10V and testing control elements. MCVS has 3 operation modes:

Source

Current /I/: 0-20mA

[3 fixed values 4, 12, 20mA]

Voltage /V/: 0 - 10 V [fixed values 2, 6, 10 V]

Read Voltage 0-10 V / Current 0-20 mA

Simulation of 2 wire transmitter

Panel description

[1] Selector switches two mode: Read (U or I) / Source (U or I).

[2] Pushbuttons LOW, MID, HI :

Source: Current /I/ 3 fixed values (4, 12, 20 mA)

Voltage /V/ 3 fixed values (2, 6, 10 V)

Pushbutton Step:

Long press on Step will increase current up 20mA then value will be zero.

-/I/- Zero and than Steps of 2.5mA (0mA to 20mA)

-/V/- Zero and than Steps of 1.2V (0V to 10V)

Pushbuttons UP and DOWN

- /I/ Fine adjusting (0.1mA resolution).

- /V/ Fine adjusting (0.1V resolution).

[3] Display, 3.5 digits LCD ("1" at open loop)

[4] Two 9V alkaline batteries

[5] Socket for external power supplier



[6] Output for two wire transmitter

[7] Terminals (+ and -) for 2 leads (mode Read)

[8] Switch Power On/off

[9] The LED shows battery discharge.

Features

- ✓ Fast setting - fixed voltage and current values.
- ✓ Power supply - internal (battery) or external.
- ✓ Display 3.5 digits LCD 0.5", in all operation modes.
- ✓ Low battery indication.
- ✓ Compact, low-weight.
- ✓ 3 years warranty (exclude batteries).

Specification

Resolution: 0.1mA or 0.1V

Accuracy: $\pm 0.5\%$ F.S. or ± 1 count

Display: 3.5 digits (0-1999) LCD size 0.5"
Display range: 0-20.0mA or 0-10.0V

Power supply: two 9V alkaline batteries or external 18 - 24 VDC

Output:

Source /I/ $R_{load} = 500\Omega$, /V/ $R_{load} > 2\text{ k}\Omega$

Input:

Read /I/ $R_{in} = 25\Omega$, /V/ $R_{in} > 10\text{ M}\Omega$

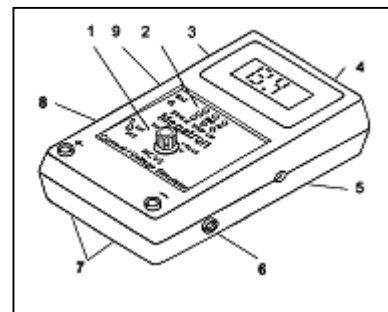
Operating temperature: $0 \div +50^\circ\text{C}$

Enclosure: plastic case

Size: w 100 x L 180 x h 44

Accessories: carrying case, 2 leads (red and black) and connecting plug for external power supplier.

Weight approx. 400 g



MCVS-E-P-3-05

megatron electronics & controls ltd

Manufactures & Representatives for Control Equipment

Tel. 972-4-8410704, Fax 972-4-8410705



מגטרון אלקטרוניקה ובקרה בע"מ

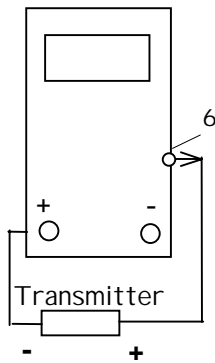
יצרנים ומפיצים של ציוד מכשור בקרה והתרה

<http://www.megatron.co.il>
sales@megatron.co.il

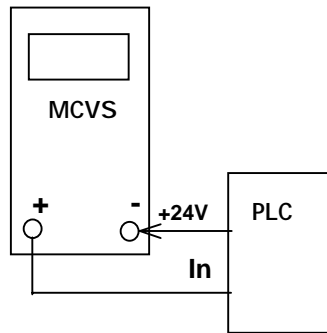
Marconi 12 POB 25205 Haifa 31251

Application

1. Two wire transmitter check.
Selector switch [1] is at mode Read /I /.



2. Two wire transmitter simulation.
Selector switch [1] is at mode Source /I /.



Calibration

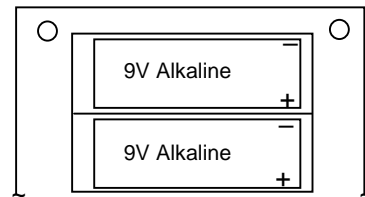
The device is calibrated by traceable calibrator.

Batteries check

If the Led [9] lights, replace the batteries as soon as possible for accurate operation.

Follow these steps to install the batteries:

1. Turn off power and disconnect the two test leads.
2. Remove the back case.
3. Snap the batteries into place according to the drawing.



The Led is dark when the batteries exhausted.

MCVS-E-P-3-05

megatron electronics & controls ltd

Manufactures & Representatives for Control Equipment

Tel. 972-4-8410704, Fax 972-4-8410705



מגטרון אלקטרוניקה ובקרה בע"מ

יצרנים ומפיצים של ציוד מכשור בקרה והתרה

<http://www.megatron.co.il>
sales@megatron.co.il

Marconi 12 POB 25205 Haifa 31251